

**DUCTILE IRON BALL VALVE PN 16 LENGTH DIN 3202-1 F4/F5**

Ductile iron ball valve full bore for all common fluids of 2<sup>nd</sup> group.  
2 EPDM O Ring on stem up to DN100 and PTFE packing over, PTFE seat.  
Ductile iron body for a better mechanical resistance.



**Size :** DN15 to DN200  
**Connection :** Flanges PN10/16 RF  
**Min Temperature :** -10°C  
**Max Temperature :** +120°C  
**Max Pressure :** 16 Bars  
**Specifications :** Full bore  
Stainless steel ball  
Anti blow-out stem  
PTFE seat

**Materials :** Ductile iron EN GJS-400-15

**DUCTILE IRON BALL VALVE PN 16 LENGTH DIN 3202-1 F4/F5**

**SPECIFICATIONS :**

- Full bore
- Anti blow-out stem
- With 2 O rings EPDM on stem up to DN100, PTFE packing over
- PN10/16 Flanges R.F. up to DN150 and PN16 for DN200
- stainless steel ball
- Grey painting colour RAL 7040 20-40 microns thickness

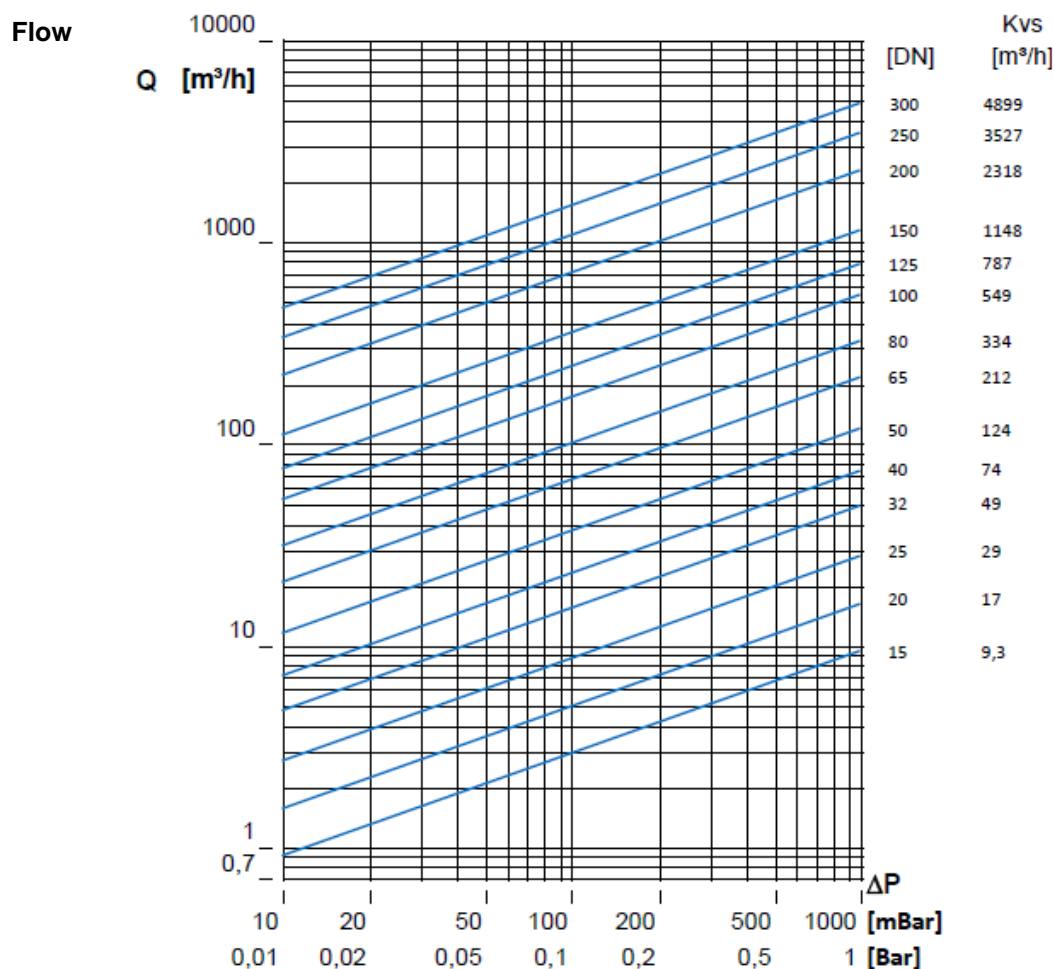
**USE :**

- For all common fluids of 2<sup>nd</sup> group
- Min and max Temperature Ts : - 10°C to + 120°C
- Max Pressure Ps : 16 bars
- **Do not use with steam**
- **Do not use with compressed air**

**RANGE :**

- Ductile iron flanges R.F. with stainless steel ball PN10/16 from DN15 to DN150 and PN16 for DN200 **Ref. 507D** from DN15 to DN200

**HEAD LOSS GRAPH :**



## DUCTILE IRON BALL VALVE PN 16 LENGTH DIN 3202-1 F4/F5

FLOW COEFFICIENT Kvs ( in M3/H ) :

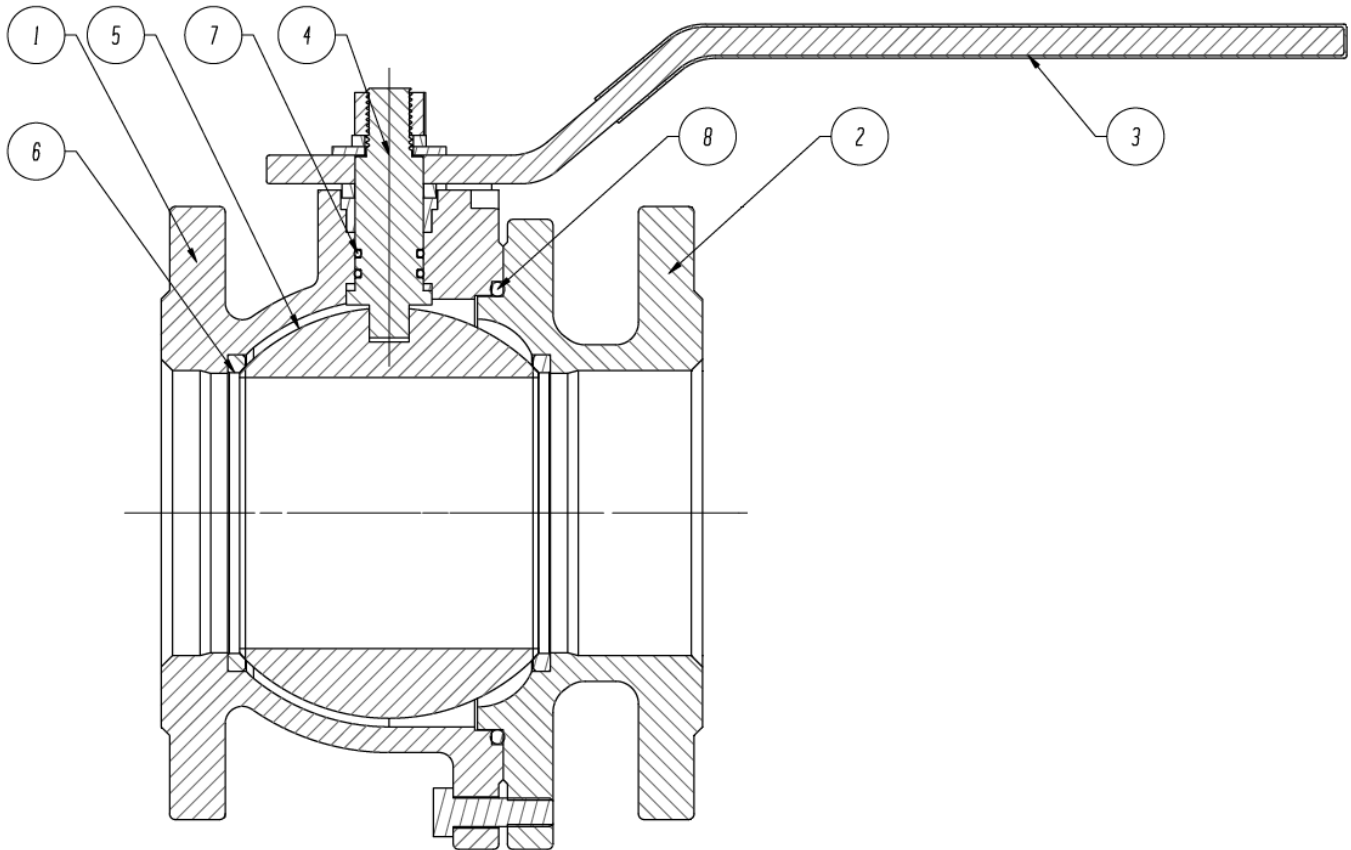
| DN            | 15  | 20 | 25 | 32 | 40 | 50  | 65  | 80  | 100 | 125 | 150  | 200  |
|---------------|-----|----|----|----|----|-----|-----|-----|-----|-----|------|------|
| Kvs (M3 / H)) | 9.3 | 17 | 29 | 49 | 74 | 124 | 212 | 334 | 549 | 787 | 1148 | 2318 |

TORQUE VALUES ( in Nm without safety coefficient ) :

| DN            | 15 | 20 | 25 | 32 | 40 | 50 | 65 | 80 | 100 | 125 | 150 | 200 |
|---------------|----|----|----|----|----|----|----|----|-----|-----|-----|-----|
| Torque ( Nm ) | 4  | 4  | 5  | 10 | 22 | 42 | 45 | 45 | 45  | 105 | 170 | 190 |

**DUCTILE IRON BALL VALVE PN 16 LENGTH DIN 3202-1 F4/F5**

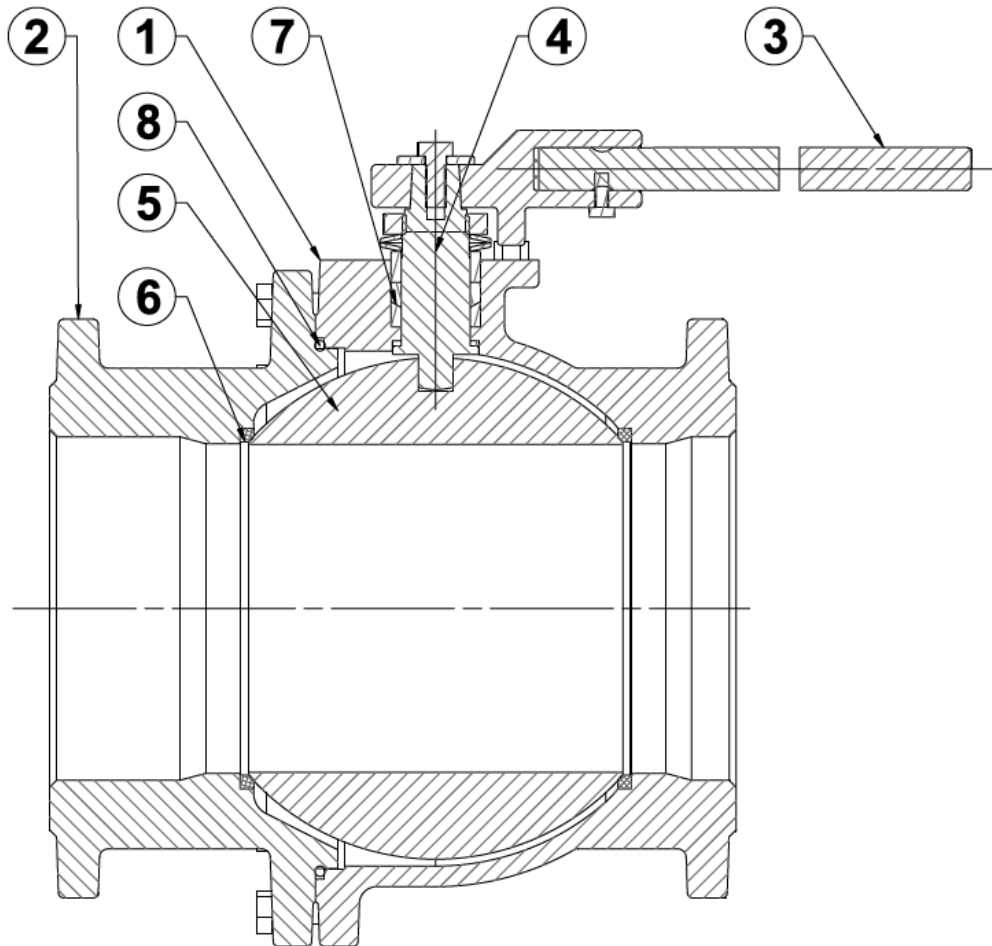
MATERIALS DN15-100 :



| Item | Designation | Materials                  |
|------|-------------|----------------------------|
| 1    | Body        | Ductile iron EN GJS-400-15 |
| 2    | Ends        |                            |
| 3    | Handle      | Steel St37                 |
| 4    | Stem        | AISI 420                   |
| 5    | Ball        |                            |
| 6    | Seat        | PTFE                       |
| 7    | O Ring      | EPDM                       |

**DUCTILE IRON BALL VALVE PN 16 LENGTH DIN 3202-1 F4/F5**

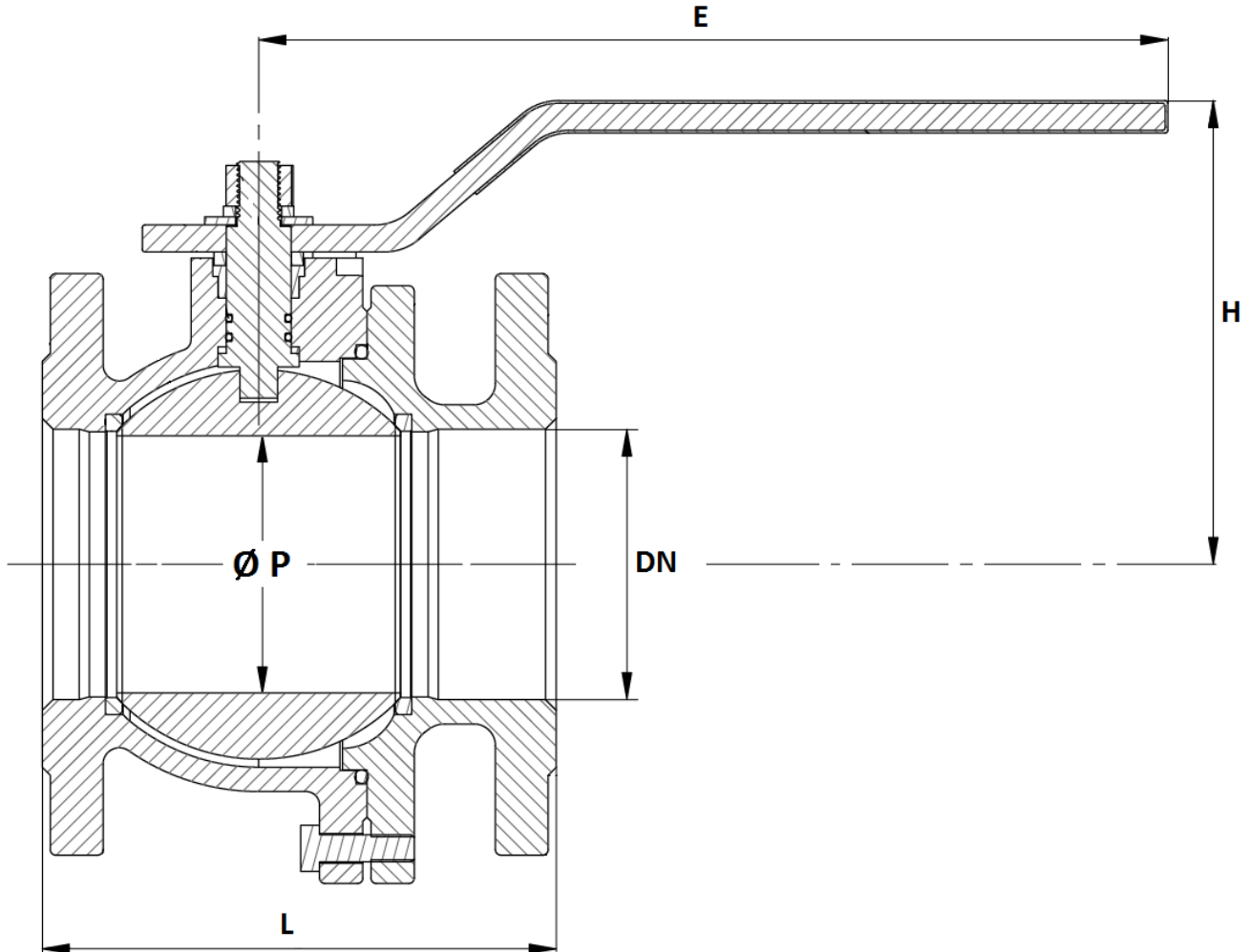
MATERIALS DN125-200 :



| Item | Designation | Materials                  |
|------|-------------|----------------------------|
| 1    | Body        | Ductile iron EN GJS-400-15 |
| 2    | Ends        |                            |
| 3    | Handle      | Steel St37                 |
| 4    | Stem        | AISI 420                   |
| 5    | Ball        |                            |
| 6    | Seat        | PTFE                       |
| 7    | Packing     | PTFE                       |
| 8    | O ring      | EPDM                       |

**DUCTILE IRON BALL VALVE PN 16 LENGTH DIN 3202-1 F4/F5**

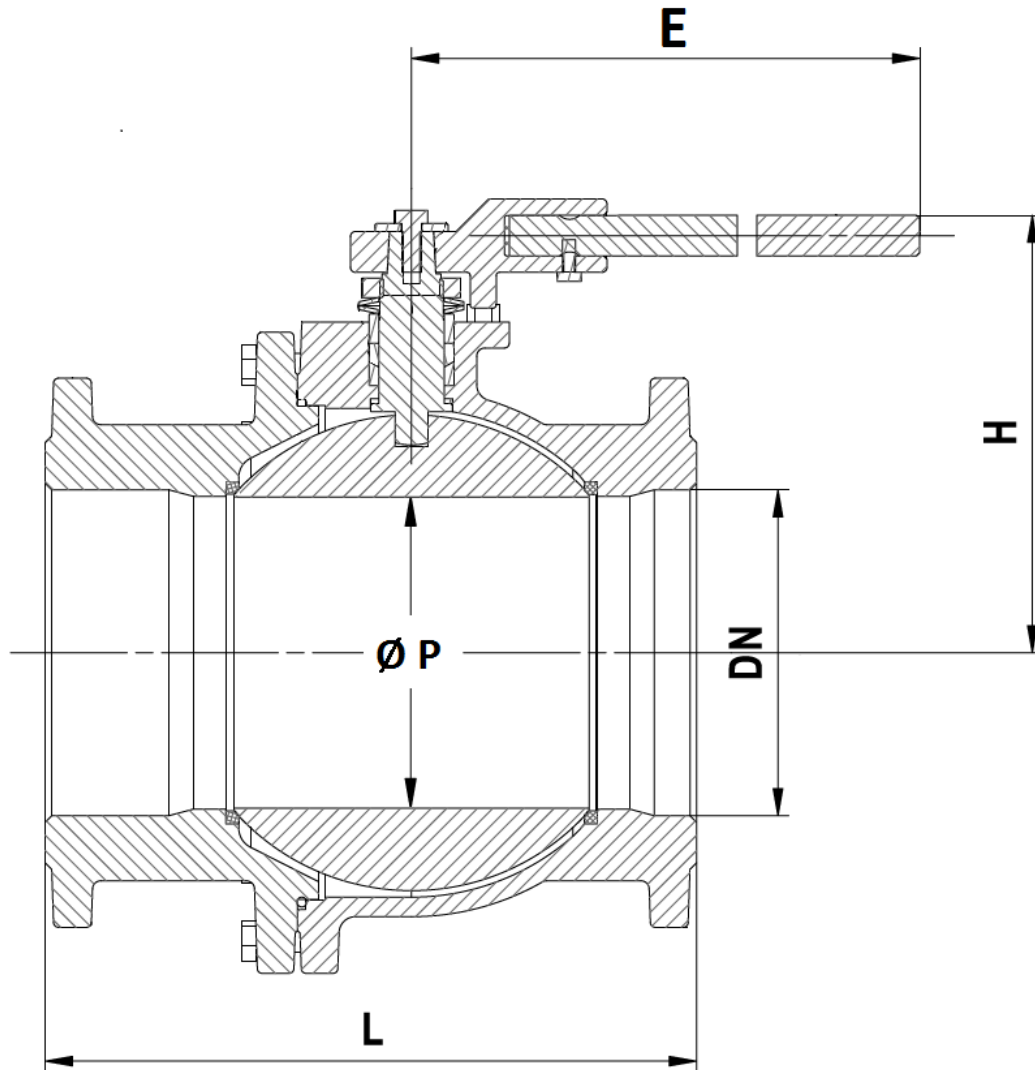
SIZE DN15-100 ( in mm ) :



| DN          | 15      | 20      | 25      | 32      | 40      | 50      | 65      | 80      | 100     |
|-------------|---------|---------|---------|---------|---------|---------|---------|---------|---------|
| L           | 115     | 120     | 125     | 130     | 140     | 150     | 170     | 180     | 190     |
| Ø P         | 15      | 19      | 24      | 30      | 38      | 47      | 62      | 76      | 95      |
| H           | 105     | 105     | 105     | 110     | 120     | 130     | 140     | 155     | 170     |
| E           | 155     | 155     | 155     | 190     | 190     | 260     | 260     | 335     | 335     |
| Weight (Kg) | 2.3     | 2.7     | 3.2     | 5.2     | 6.6     | 8.8     | 12      | 17.4    | 23.7    |
| Ref.        | 507D015 | 507D020 | 507D025 | 507D032 | 507D040 | 507D050 | 507D065 | 507D080 | 507D100 |

**DUCTILE IRON BALL VALVE PN 16 LENGTH DIN 3202-1 F4/F5**

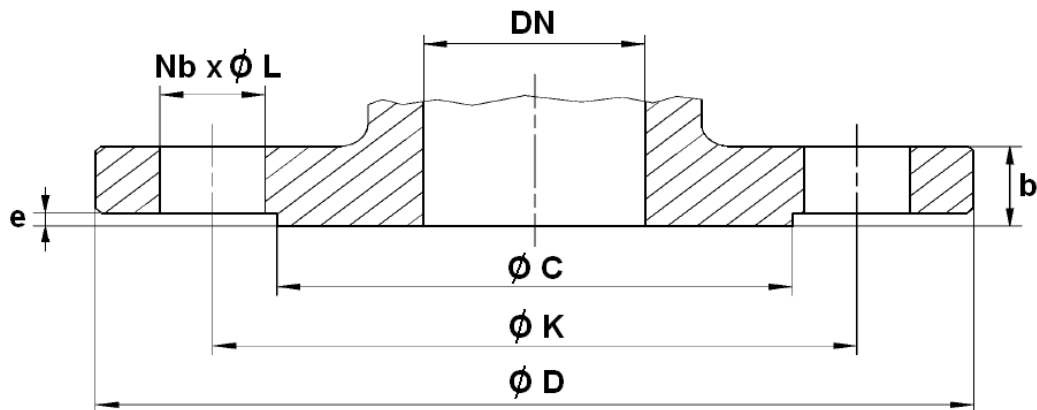
SIZE DN125-200 ( in mm ) :



| DN             | 125     | 150     | 200     |
|----------------|---------|---------|---------|
| L              | 325     | 350     | 400     |
| Ø P            | 119     | 142     | 191     |
| H              | 190     | 250     | 280     |
| E              | 335     | 700     | 700     |
| Weight (in Kg) | 40.6    | 70.6    | 88.5    |
| Ref.           | 507D126 | 507D151 | 507D200 |

**DUCTILE IRON BALL VALVE PN 16 LENGTH DIN 3202-1 F4/F5**

FLANGES SIZE ( in mm ) :



| DN       | 15     | 20  | 25  | 32     | 40  | 50  | 65  | 80     | 100 | 125    | 150    | 200     |
|----------|--------|-----|-----|--------|-----|-----|-----|--------|-----|--------|--------|---------|
| Ø C      | 46     | 56  | 65  | 76     | 84  | 99  | 118 | 132    | 156 | 184    | 211    | 266     |
| Ø D      | 95     | 105 | 115 | 140    | 150 | 165 | 185 | 200    | 220 | 250    | 285    | 340     |
| Ø K      | 65     | 75  | 85  | 100    | 110 | 125 | 145 | 160    | 180 | 210    | 240    | 295     |
| Nb x Ø L | 4 x 14 |     |     | 4 x 19 |     |     |     | 8 x 19 |     | 8 x 19 | 8 x 23 | 12 x 23 |
| b        | 14     | 16  | 16  | 18     | 18  | 20  | 20  | 22     | 24  | 26     | 26     | 30      |
| e        | 2      | 2   | 3   | 3      | 3   | 3   | 3   | 3      | 3   | 3      | 3      | 3       |



**DUCTILE IRON BALL VALVE PN 16 LENGTH DIN 3202-1 F4/F5****STANDARDS :**

- Manufacturer certified ISO 9001 :2015
- DIRECTIVE 2014/68/EU : CE N° 1521  
Risk Category III module H
- Valve design according to ISO 17292
- Length according to EN 558 series 14 ( DIN 3202-1 F4 ) from DN15 to DN100
- Length according to EN 558 series 15 ( DIN 3202-1 F5 ) from DN125 to DN200
- Flanges R.F according to EN 1092-2 PN10/16
- Pressure tests according to EN 12266-1, Rate A

**DUCTILE IRON BALL VALVE PN 16 LENGTH DIN 3202-1 F4/F5****INSTALLATION INSTRUCTIONS****GENERAL GUIDELINES :**

- Ensure that the valves to be used are appropriate for the conditions of the installation (type of fluid, pressure and temperature).
- Be sure to have enough valves to be able to isolate the sections of piping as well as the appropriate equipment for maintenance and repair.
- Ensure that the valves to be installed are of correct strength to be able to support the capacity of their usage.
- **Installation of all circuits should ensure that their function can be automatically tested on a regular basis (at least two times a year).**

**INSTALLATION INSTRUCTIONS :**

- **Before installing the valves, clean and remove any objects from the pipes** (in particular bits of sealing and metal) which could obstruct and block the valves.
- **Ensure that both connecting pipes either side of the valve (upstream and downstream) are aligned (if they're not, the valves may not work correctly).**
- **Make sure that the two sections of the pipe (upstream and downstream) match, the valve unit will not absorb any gaps. Any distortions in the pipes may affect the tightness of the connection, the working of the valve and can even cause a rupture.** To be sure, place the kit in position to ensure the assembling will work.
- **If sections of piping do not have their final support in place, they should be temporarily fixed. This is to avoid unnecessary strain on the valve.**
- Tighten the bolts in cross.
- It's recommended to operate the valve ( open and close ) 1 to 2 times per year